



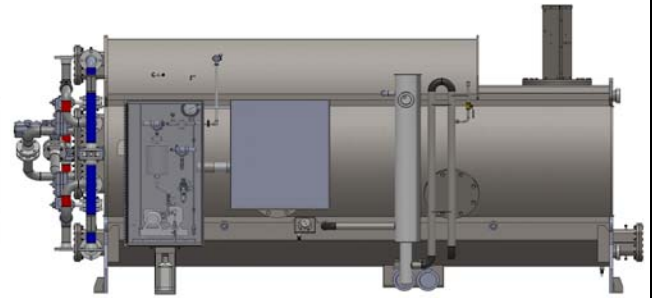
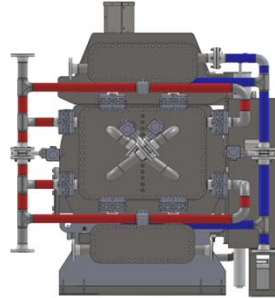
**SUBMITTAL DATA: AD3-C**

**C FRAME ADSORPTION CHILLER**

Job Name:	Location:	Date:
Purchaser:	Engineer:	
Submitted to:	Approval:	Date:
Submitted by:	Schedule No.:	

**GENERAL FEATURES:**

- ▶ Ultra low electricity consumption
- ▶ Zero ozone depletion potential
- ▶ No dangerous chemicals
- ▶ Very few moving parts
- ▶ Ease of maintenance
- ▶ Advanced microprocessor control
- ▶ Designed for outdoor installation
- ▶ Wide temperature ranges allowed



MODEL	C-40	C-30	C-20	C-10
Rated Capacity (kW)	144	106	70	35

**Chilled Water:**

Inlet Temperature (°C)	12.8	12.8	12.8	12.8
Outlet Temperature (°C)	7.2	7.2	7.2	7.2
Flow Rate (l/s)	6.2	4.5	3.0	1.5
Pressure Drop (m. H <sub>2</sub> O)	8	6	3	1
Connection Size:	2.5"	2.5"	2.5"	2.5"

**Condenser Water:**

Inlet Temperature (°C)	29.4	29.4	29.4	29.4
Outlet Temperature (°C)	35.0	35.0	35.0	35.0
Flow Rate (l/s)	18.7	13.7	9.1	4.6
Pressure Drop (m. H <sub>2</sub> O)	12	8	5	2
Connection Size:	4"	3"	2.5"	2.5"

**Hot Water:**

Inlet Temperature (°C)	90.6	90.6	90.6	90.6
Outlet Temperature (°C)	83.9	83.9	83.9	83.9
Flow Rate (l/s)	10.3	7.6	5.0	2.5
Pressure Drop (m. H <sub>2</sub> O)	4	3	2	1
Connection Size:	3"	2.5"	2.5"	2.5"

\*Rated for maximum capacity mode. Higher efficiencies are available at reduced capacities.

\*All data is preliminary and subject to change without notice.

**Electrical**

Voltage:..... 3 ph, Any Voltage  
 Frequency:..... 50 or 60 Hz  
 Operating kW Consumption:..... 0.6 kW  
 Maximum kW Consumption..... 1.7 kW

**Air Supply**

Air Pressure:..... 4.81 bar  
 Air Consumption:..... 0.16 l/s

**Unit Dimensions\***

Width..... 2032 mm  
 Length..... 4826 mm  
 Height..... 2390 mm  
 \*with cabinets mounted on the side as shown

**Weight**

Empty:..... 7,280 kg  
 Operating:..... 8,200 kg

Refrigerant type:..... Tap Water (H<sub>2</sub>O)

**Operating Range**

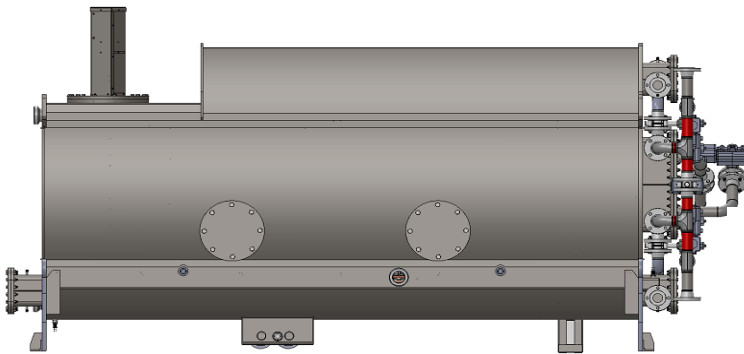
Chilled Water..... 3.3°C to 20°C  
 Hot Water..... 51.7°C to 93.3°C  
 Condenser Water..... 10°C to 39°C  
 Maximum Pressure..... 4.8 bar

\*Maximum pressure 70 psig for hot, chilled, & condenser water

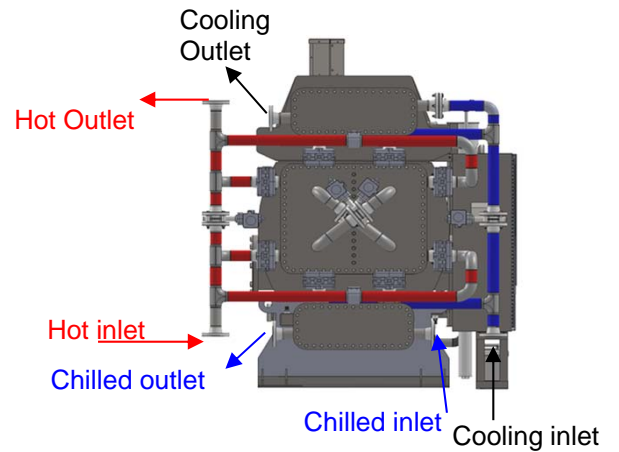
Notes:

## DIMENSIONS: AD3-C

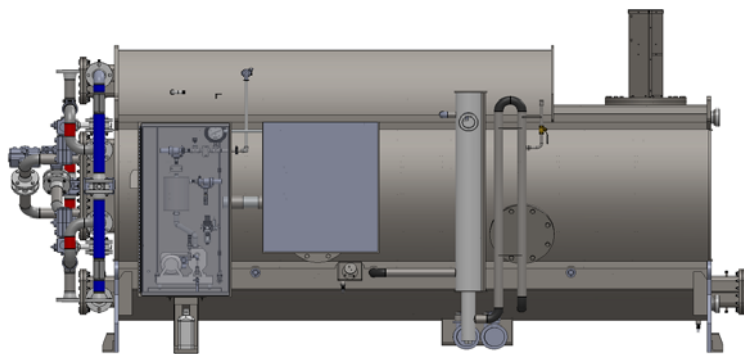
## C FRAME ADSORPTION CHILLER



LEFT SIDE



FRONT



RIGHT SIDE

See drawings for specific piping connections and sizes.

### Field Notes:

Chiller must be leveled upon installation with included leveling bolts.  
Three-way control valves are NOT required for field piping.  
Minimum 30" clearance required in front of the chiller.  
The piping configuration shall provide clear access to the chiller.  
Installation and water treatment per IOM required.

Specifications are subject to change without notice.