

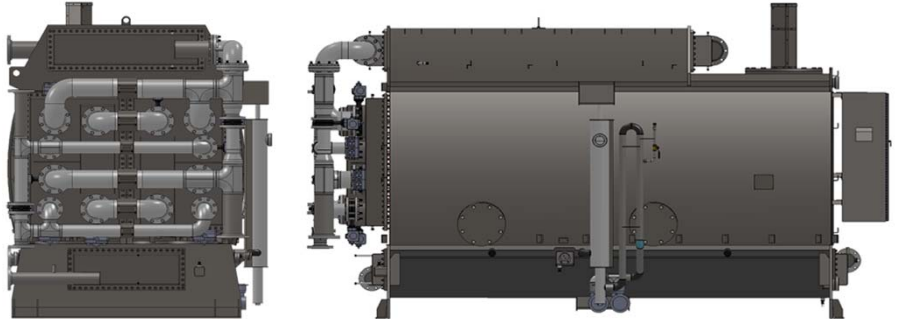


SUBMITTAL DATA: AD3-E E FRAME ADSORPTION CHILLER

Job Name:	Location:	Date:
Purchaser:	Engineer:	
Submitted to:	Approval:	Date:
Submitted by:	Schedule No.:	

GENERAL FEATURES:

- ▶ Ultra low electricity consumption
- ▶ Zero ozone depletion potential
- ▶ No dangerous chemicals
- ▶ Very few moving parts
- ▶ Ease of maintenance
- ▶ Advanced microprocessor control
- ▶ Designed for outdoor installation
- ▶ Wide temperature ranges allowed



MODEL	E-150	E-140	E-120	E-100
Rated Capacity (kW)	535	499	436	366

Chilled Water:

Inlet Temperature (°C)	12.8	12.8	12.8	12.8
Outlet Temperature (°C)	7.2	7.2	7.2	7.2
Flow Rate (l/s)	23	22	19	16
Pressure Drop (m. H ₂ O)	9	8	7	5

Condenser Water:

Inlet Temperature (°C)	29.4	29.4	29.4	29.4
Outlet Temperature (°C)	35.0	35.0	35.0	35.0
Flow Rate (l/s)	69	65	57	47
Pressure Drop (m. H ₂ O)	14	12	10	8

Hot Water:

Inlet Temperature (°C)	90.6	90.6	90.6	90.6
Outlet Temperature (°C)	83.9	83.9	83.9	83.9
Flow Rate (l/s)	38	36	31	26
Pressure Drop (m. H ₂ O)	7	6	5	4

*Rated for maximum capacity mode. Higher efficiencies are available at reduced capacities.

*All data is preliminary and subject to change without notice.

Electrical

Voltage:..... 3 ph, Any Voltage
 Frequency:..... 50 or 60 Hz
 Operating kW Consumption:..... 0.8 kW
 Maximum kW Consumption..... 1.9 kW

Air Supply

Air Pressure:..... 4.81 bar
 Air Consumption:..... 0.16 l/s

Unit Dimensions*

Width..... 2490 mm
 Length..... 5080 mm
 Height..... 2920 mm

*with cabinets mounted on the rear

Weight

Empty:..... 15000 kg
 Operating:..... 16400 kg

Refrigerant type:..... Tap Water (H₂O)

Operating Range

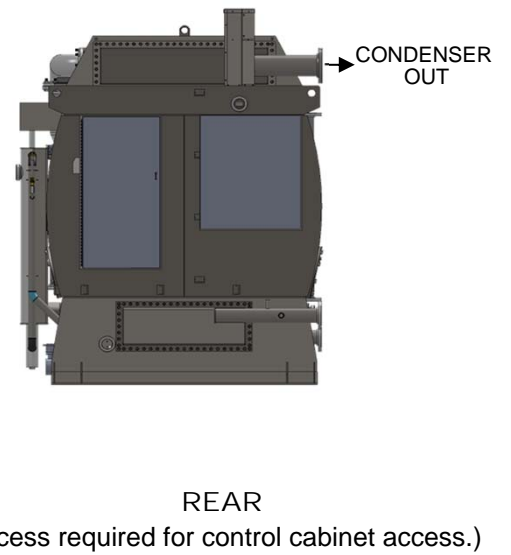
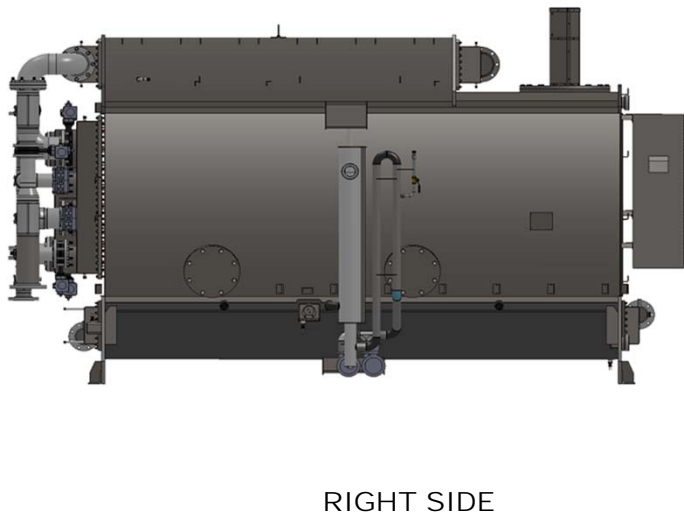
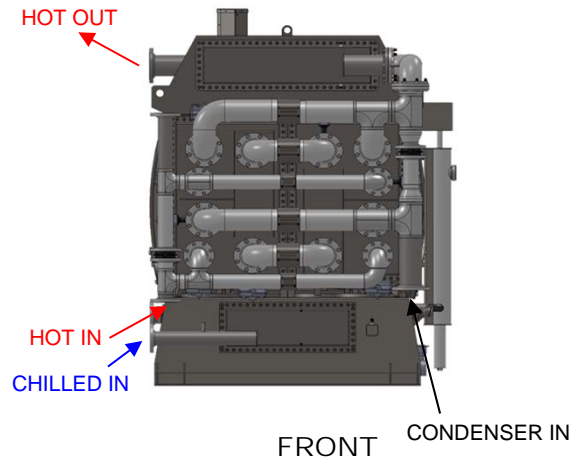
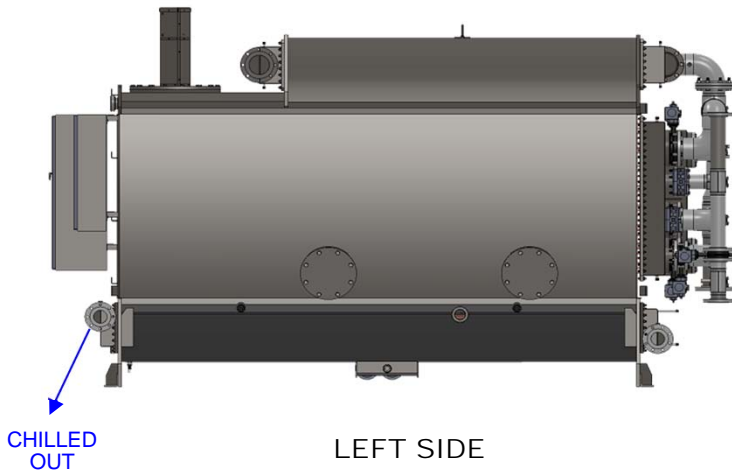
Chilled Water..... 3.3°C to 20°C
 Hot Water..... 51.7°C to 93.3°C
 Condenser Water..... 10°C to 39°C
 Maximum Pressure..... 4.8 bar

*Maximum pressure 70 psig for hot, chilled, & condenser water

Notes:

DIMENSIONS: AD3-E-150

150 TON ADSORPTION CHILLER



Weight

Empty..... 33,000 lbs
 Operating. 36,080 lbs

	Inlet	Outlet
Chilled.....	4"	4"
Condenser	6"	6"
Hot.....	4"	4"

*All are ANSI flanged connections

Field Notes:

Chiller must be leveled upon installation with included leveling bolts.
 Three-way control valves are NOT required for field piping.
 Minimum 30" clearance required in front of the chiller.
 The piping configuration shall provide clear access to the chiller.
 Installation and water treatment per IOM required.

Specifications are subject to change without notice.