



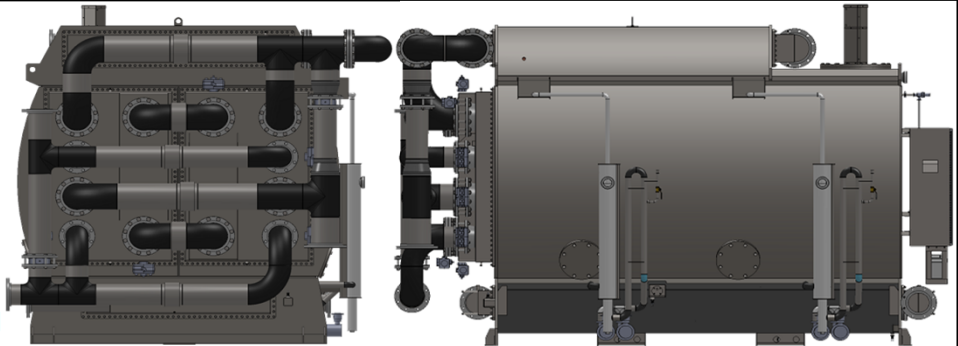
SUBMITTAL DATA: AD3-F

F FRAME ADSORPTION CHILLER

Job Name:	Location:	Date:
Purchaser:	Engineer:	
Submitted to:	Approval:	Date:
Submitted by:	Schedule No.:	

GENERAL FEATURES:

- ▶ Ultra low electricity consumption
- ▶ Zero ozone depletion potential
- ▶ No dangerous chemicals
- ▶ Very few moving parts
- ▶ Ease of maintenance
- ▶ Advanced microprocessor control
- ▶ Designed for outdoor installation
- ▶ Wide temperature ranges allowed



MODEL	F-330	F-300	F-250	F-200
Rated Capacity (Tons)	335	305	254	203

Chilled Water:

Inlet Temperature (°F)	55	55	55	55
Outlet Temperature (°F)	45	45	45	45
Flow Rate (gpm)	804	732	610	487
Pressure Drop (ft. H ₂ O)	29	26	20	15

Condenser Water:

Inlet Temperature (°F)	85	85	85	85
Outlet Temperature (°F)	95	95	95	95
Flow Rate (gpm)	2422	2205	1836	1468
Pressure Drop (ft. H ₂ O)	42	37	29	22

Hot Water:

Inlet Temperature (°F)	195	195	195	195
Outlet Temperature (°F)	183	183	183	183
Flow Rate (gpm)	1340	1220	1016	812
Pressure Drop (ft. H ₂ O)	20	18	14	10

*Rated for maximum capacity mode. Higher efficiencies are available at reduced capacities.

*All data is preliminary and subject to change without notice.

Electrical

Voltage:..... 208/230-3-60
 Frequency:..... 60 Hz
 Operating kW Consumption:..... 1.3 kW
 Maximum kW Consumption..... 2.4 kW

Air Supply

Air Pressure:..... 71 psi
 Air Consumption:..... 0.34 cfm

Unit Dimensions*

Width..... 144"
 Length..... 210"
 Height..... 138"

*with cabinets mounted on the rear

Weight

Empty:..... 47,000 lbs
 Operating:..... 53,000 lbs

Refrigerant type:..... Tap Water (H₂O)

Operating Range

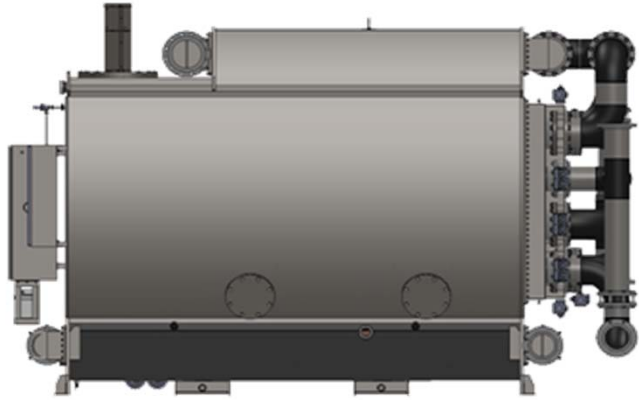
Chilled Water..... 38 °F to 68 °F
 Hot Water..... 125 °F to 200 °F
 Condenser Water..... 50 °F to 102 °F
 Maximum Pressure..... 70 psig

*Maximum pressure 70 psig for hot, chilled, & condenser water

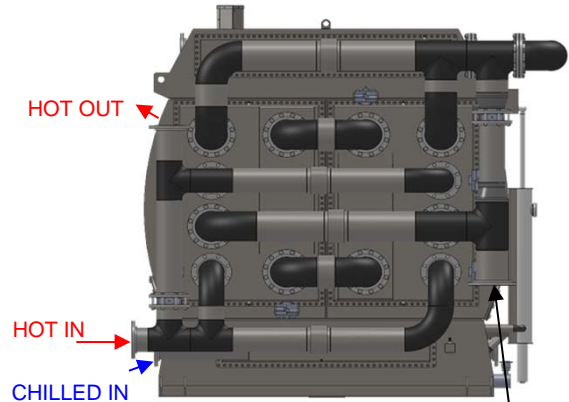
Notes:

DIMENSIONS: AD3-F

F FRAME ADSORPTION CHILLER

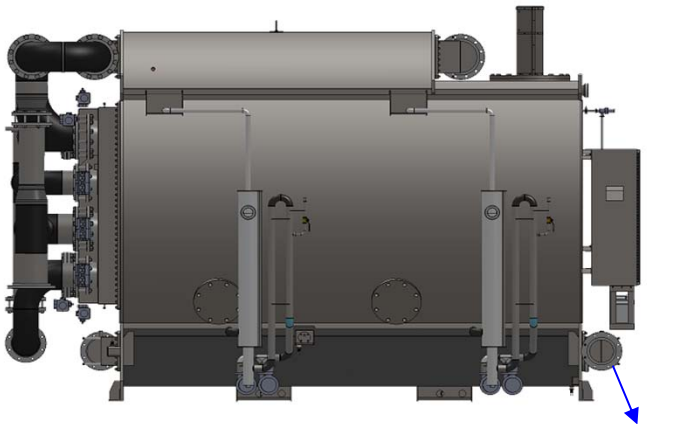


LEFT SIDE



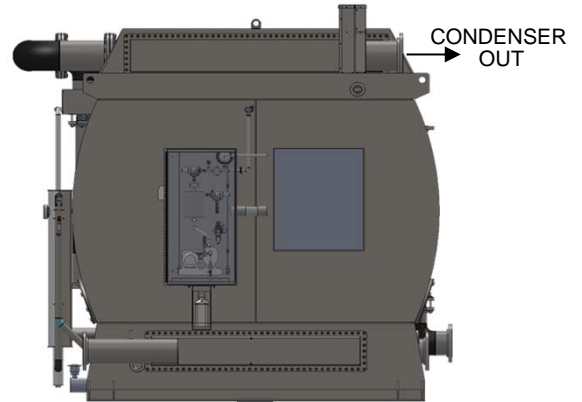
CONDENSER IN

FRONT



CHILLED OUT

RIGHT SIDE



CONDENSER OUT

REAR

(36" access required for control cabinet access.)

	Inlet	Outlet
Chilled.....	8"	8"
Condenser	10"	10"
Hot.....	8"	8"

*All are ANSI flanged connections

Field Notes:

Chiller must be leveled upon installation with included leveling bolts.
 Three-way control valves are NOT required for field piping.
 Minimum 30" clearance required in front of the chiller.
 The piping configuration shall provide clear access to the chiller.
 Installation and water treatment per IOM required.

Specifications are subject to change without notice.