

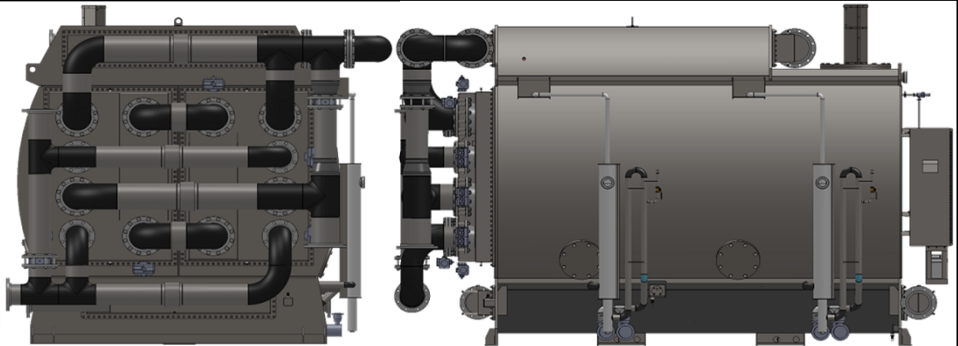
SUBMITTAL DATA: AD3-F

F FRAME ADSORPTION CHILLER

Job Name:	Location:	Date:
Purchaser:	Engineer:	
Submitted to:	Approval:	Date:
Submitted by:	Schedule No.:	

GENERAL FEATURES:

- ▶ Ultra low electricity consumption
- ▶ Zero ozone depletion potential
- ▶ No dangerous chemicals
- ▶ Very few moving parts
- ▶ Ease of maintenance
- ▶ Advanced microprocessor control
- ▶ Designed for outdoor installation
- ▶ Wide temperature ranges allowed



MODEL	F-330	F-300	F-250	F-200
Rated Capacity (kW)	1178	1073	893	714

Chilled Water:

Inlet Temperature (°C)	12.8	12.8	12.8	12.8
Outlet Temperature (°C)	7.2	7.2	7.2	7.2
Flow Rate (l/s)	51	46	38	31
Pressure Drop (m. H ₂ O)	9	8	6	5

Condenser Water:

Inlet Temperature (°C)	29.4	29.4	29.4	29.4
Outlet Temperature (°C)	35.0	35.0	35.0	35.0
Flow Rate (l/s)	153	139	116	93
Pressure Drop (m. H ₂ O)	13	11	9	7

Hot Water:

Inlet Temperature (°C)	90.6	90.6	90.6	90.6
Outlet Temperature (°C)	83.9	83.9	83.9	83.9
Flow Rate (l/s)	85	77	64	51
Pressure Drop (m. H ₂ O)	6	5	4	3

*Rated for maximum capacity mode. Higher efficiencies are available at reduced capacities.

*All data is preliminary and subject to change without notice.

Electrical

Voltage:..... 3 ph, Any Voltage
 Frequency:..... 50 or 60 Hz
 Operating kW Consumption:..... 1.3 kW
 Maximum kW Consumption..... 2.4 kW

Air Supply

Air Pressure:..... 4.81 bar
 Air Consumption:..... 0.16 l/s

Unit Dimensions*

Width..... 3658 mm
 Length..... 5335 mm
 Height..... 3505 mm

*with cabinets mounted on the rear

Weight

Empty:..... 21,400 kg
 Operating:..... 24,000 kg

Refrigerant type:..... Tap Water (H₂O)

Operating Range

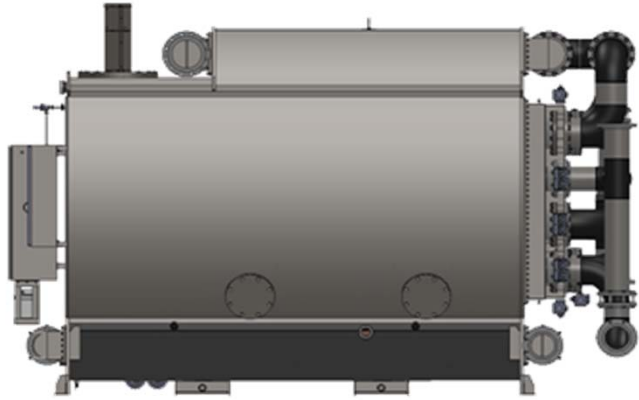
Chilled Water..... 3.3°C to 20°C
 Hot Water..... 51.7°C to 93.3°C
 Condenser Water..... 10°C to 39°C
 Maximum Pressure..... 4.8 bar

*Maximum pressure 4.8 bar for hot, chilled, & condenser water

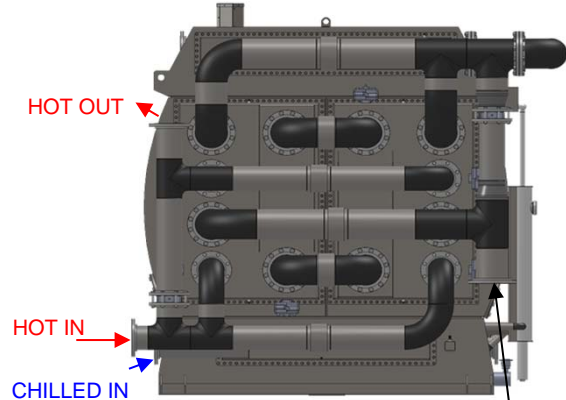
Notes:

DIMENSIONS: AD3-F

F FRAME ADSORPTION CHILLER

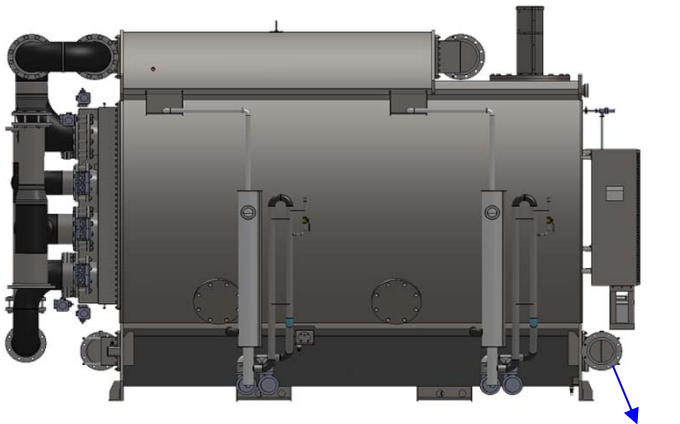


LEFT SIDE



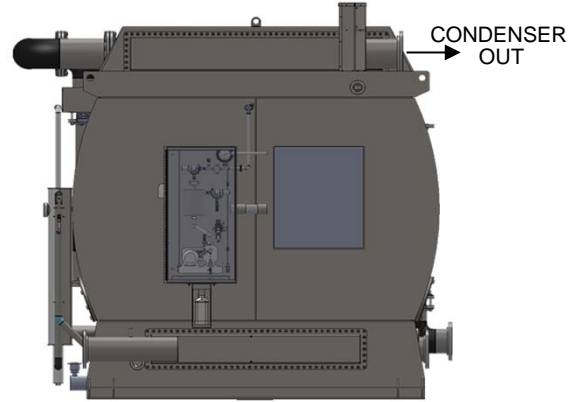
CONDENSER IN

FRONT



CHILLED OUT

RIGHT SIDE



CONDENSER OUT

REAR

(36" access required for control cabinet access.)

	Inlet	Outlet
Chilled.....	8"	8"
Condenser	10"	10"
Hot.....	8"	8"

*All are ANSI flanged connections

Field Notes:

Chiller must be leveled upon installation with included leveling bolts.
 Three-way control valves are NOT required for field piping.
 Minimum 30" clearance required in front of the chiller.
 The piping configuration shall provide clear access to the chiller.
 Installation and water treatment per IOM required.

Specifications are subject to change without notice.